

Line 2,4,8,10

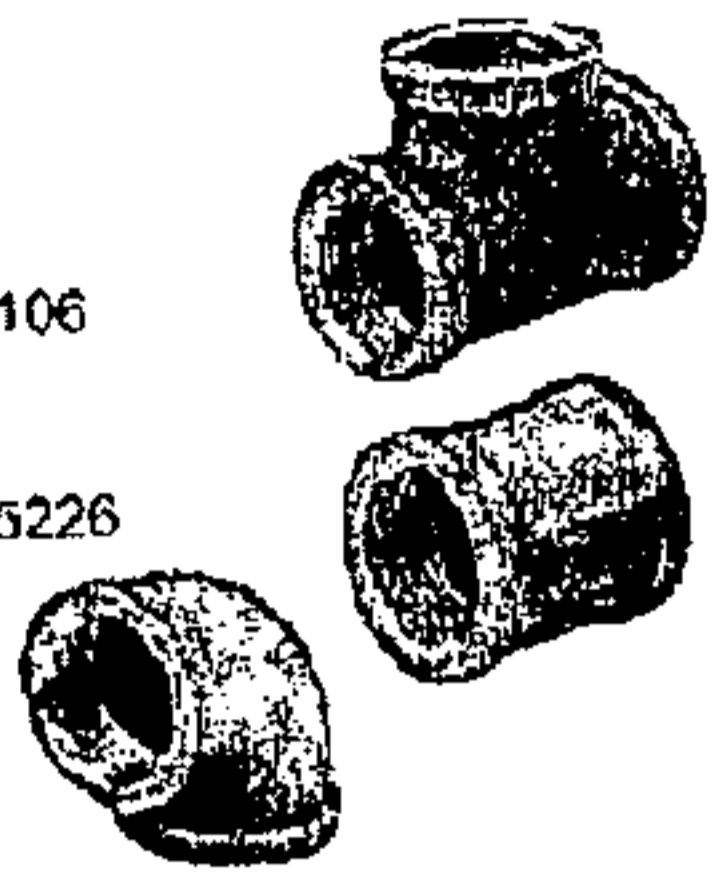
Certificate of Compliance • Specification & Compliance Guide

3x12 4x12 5x12 6x12 STD NIPPLES

Effective May 1, 2010

Bronze Threaded Fittings

ASTM B62-93-93 (C83600) 86-5-5-5
ANSI/ASME B1.20.1
ANSI/ASME B16.5
ANSI B16.18, B16.3 Class 125
ISO 9001:2000
Fed Spec WW-P460C MSS-SP-106
ASTM B584-93B
Unions WW-U-516B
UL/FM Listed & Approved - EX15226
NSF-61 Approved



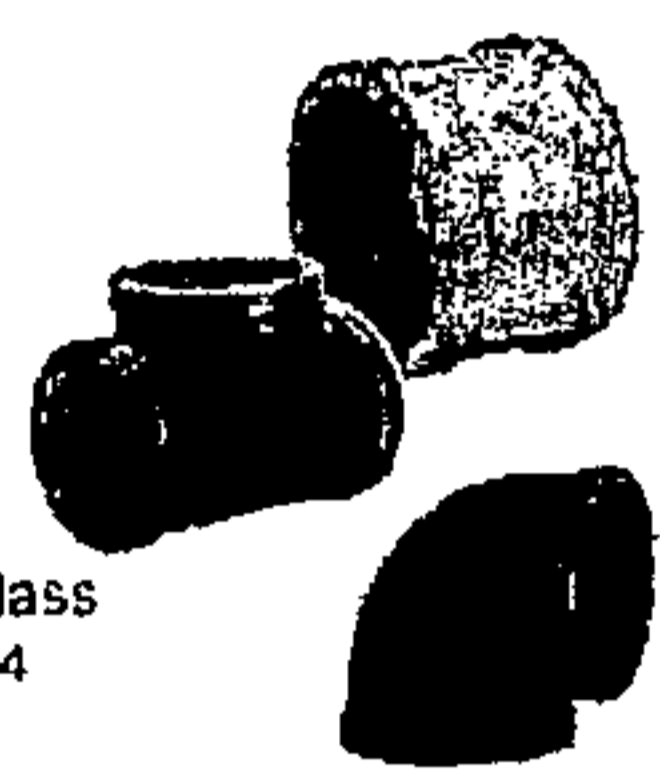
Bronze Threaded Flanges

ASTM B62
ASME B16.24
ASME B1.20.1, Class 150
ISO 9001:2000



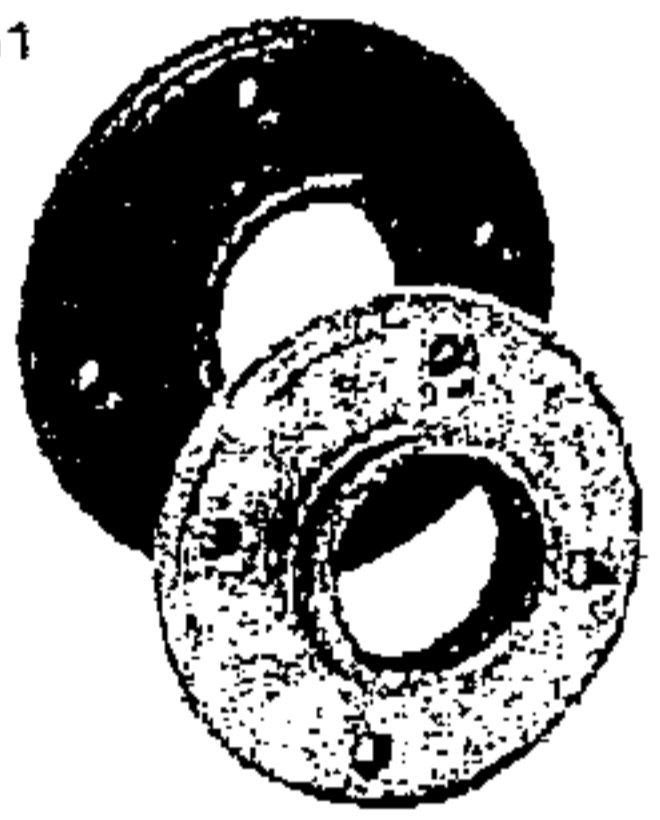
Malleable Iron Fittings

ASTM A197, ASTM A153
ASME 16.3, ASME B16.34
ASME B1.20.1, ASME B16.39
Coating ASTM A184 LS or
ASTM A185 NS S1255
All fittings pressure tested to 300# Class
UL/FM Listed & Approved - EX15174
Union WW-U-5116-B, EX9172
Others GS143, JIS H-0401
BS 21 DIN 2999
ISO 9001:2000
Galvanized Fittings meet NSF-61



Cast Iron Flanges

ASTM A126
ASTM A48, ASME 16.1
ASME B1.20.1
ISO 9001:2000

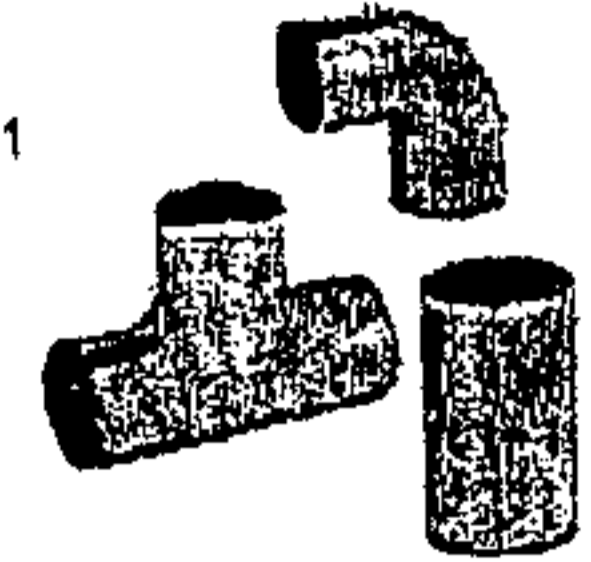


Cast Iron Fittings

ASTM A126
ASTM B16.4
ASME B1.20.1
ISO 9001:2000

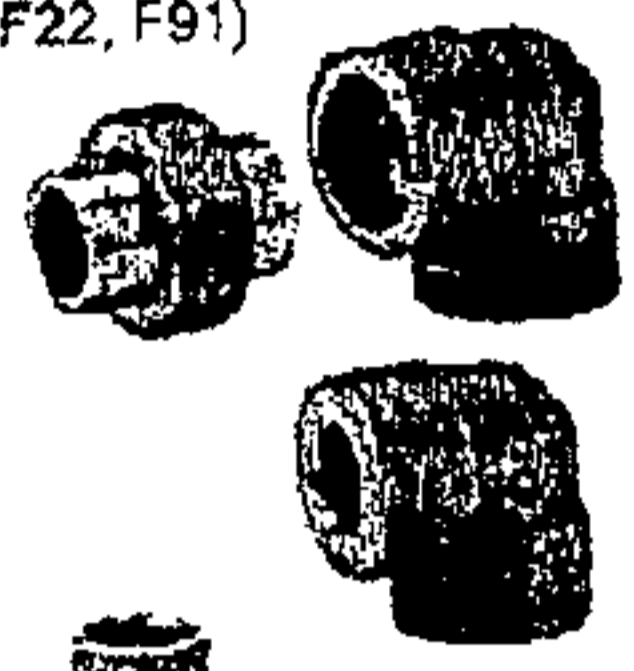
Copper Fittings

Threaded Ends ANSI/ASME B1
Solder Ends ASTM B88
ASTM A306
NSF-61 (Alloy C12200)



Forged Steel Fittings

ASME A105, ASTM 182 (F301, F304L, F316, F316L, F304H, F316H, F317L, F321, F11, F22, F91)
ASME B16.11
ASME B1.230.1
MSS-SP-79/83/95/97 Normalized
ISO 9001:2000
2000 lb., 3000 lb., and 6000 lb.
Threaded and Socket Weld



Bronze Threaded Nipples

ASTM B43
ANSI B1.20.1, WW-N-351
ANSI/ASTM B687-96
NSF-61 Approved



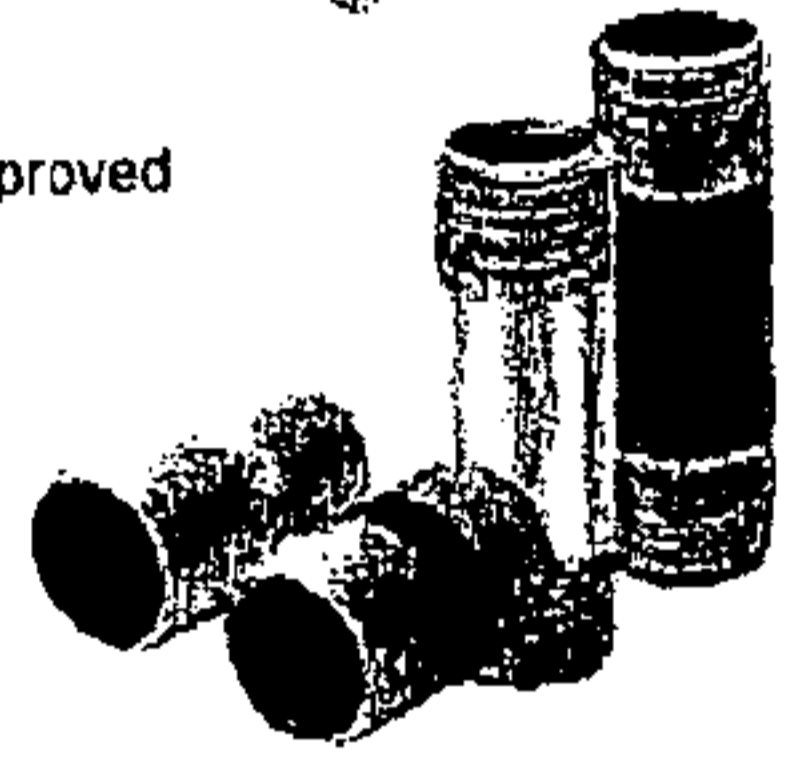
Merchant Steel Couplings

ASTM A865, ANSI B1.20.1
ISO 9001:2000
API Line API 5L
FED Spec WW-P-404
XH AAR, Recessed and
Non-recessed



Steel Welded Nipples

Sch. 40 & 80
Galvanized Nipples - NSF Approved
ASTM A733, ASTM A53
ASME B1.20.1
ISO 9001:2000
ISO 14001:1996



Global sourcing. National compliance. Local service.

CALIFORNIA	5593 Fresca Dr., La Palma CA 90623	• Toll Free: 866-532-8306	• Fax: 866-532-8307
TEXAS	1150 Silber Rd., Houston TX 77055	• Toll Free: 800-935-5456	• Fax: 713-680-2999
NEW YORK	PO Box 27, Rt. 22, Brewster NY 10509	• Toll Free: 800-431-2082	• Fax: 845-278-9056
WEB: www.matco-norca.com		EMAIL: mail@matco-norca.com	